



4 Slim duct

4-1. Specifications.....	84
4-2. Capacity tables	85
4-3. Dimensional drawing.....	87
4-4. PCB connector lay-out.....	89
4-5. Electrical wiring diagram	90
4-6. Sound pressure level	91
4-7. Recommended operation range	92

4 Slim duct

4-1. Specifications

1) Technical specifications

Model Name	Indoor Unit		AC035FBLDEH/EU	AC052FBLDEH/EU	AC071FBLDEH/EU		
	Outdoor Unit		AC035FCADEH/EU	AC052FCADEH/EU	AC071FCADEH/EU		
System	Mode		-	HEAT PUMP	HEAT PUMP		
	Capacity	Cooling (Min / Std / Max)	kW	0.95/3.50/4.00	1.20/5.00/6.00	2.20/7.10/8.00	
			Btu/h	3,200/11,900/13,600	4,100/17,100/20,500	7,500/24,200/27,300	
		Heating (Min / Std / Max)	kW	0.72/4.00/4.60	0.70/6.00/7.00	1.90/8.00/9.00	
			Btu/h	2,500/13,600/15,700	2,400/20,500/23,900	6,500/27,300/30,700	
	Power	Power Input (Nominal)	Cooling (Min / Std / Max)	kW	0.21/1.25/1.45	0.23/1.66/2.20	0.35/2.21/4.00
			Heating (Min / Std / Max)		0.18/1.17/1.40	0.28/1.66/2.20	0.35/2.32/4.00
		Current Input (Nominal)	Cooling (Min / Std / Max)	A	1.60/6.00/6.60	1.30/8.00/9.80	2.00/10.50/21.00
			Heating (Min / Std / Max)		1.20/5.70/6.60	1.60/7.90/10.00	2.00/10.50/21.00
		MCA	A	10.30 (MCA)	10.80 (MCA)	20.30 (MCA)	
		MFA	A	12.50	13.1	25.00	
	Energy Efficiency	EER (Nominal Cooling)	-	2.81	3.01	3.21	
		COP (Nominal Heating)	-	3.41	3.61	3.45	
		SEER (Cooling Energy Grade)	-	SEER 5.30 (A)	SEER 5.1(A)	SEER 5.4(A)	
		SCOP (Heating Energy Grade)	-	SOCP 3.40 (A)	SOCP 3.6(A)	SOCP 3.6(A)	
		Pdesignh	kW	2.4	3.3	4.8	
	Piping Connections	Liquid Pipe	Ø, mm	6.35	6.35	6.35	
			Ø, inch	1/4"	1/4"	1/4"	
		Gas Pipe	Ø, mm	9.52	12.70	15.88	
			Ø, inch	3/8"	1/2"	5/8"	
Installation Limitation		Max. Length (Outdoor to indoor)	m	20(25)	30.0(35.0)	50(55)	
		Max. Height (Between ID/OD)	m	15(15)	20.0(20.0)	30(30)	
Field Wiring	Power Source Wire	-	1.5	2.0	2.5		
	Transmission Cable	-	0.75 ~ 1.25	0.75 ~ 1.25	0.75 ~ 1.25		
Refrigerant	Type	-	R410A	R410A	R410A		
	Control Method	-	-	-	-		
	Factory Charging	kg	0.95	1.40	1.30		
Indoor Unit	Power Supply	Ø, #, V, Hz	1, 2, 220-240, 50	1, 2, 220-240, 50	1, 2, 220-240, 50		
	Fan	Type	-	Sirocco Fan	Sirocco Fan/BLDC	Turbo Fan/BLDC	
		Motor	Output	W	-	-	
		Number of Unit	EA	1.00	1.00	1.00	
		Air Flow Rate	High / Mid / Low	CMM	10.00/9.00/8.00	13.50/12.5/11.00	19.00/17.00/15.00
				I/s	166.67/150.00/133.33	225.00 / 208.33 / 183.33	316.67/283.33/250.00
		External Static Pressure	Min / Std / Max	mmAq	0.00/2.50/4.00	0.00/2.00/4.00	0.00/2.50/4.00
			Pa	0.00/24.52/39.23	0.00/19.61/39.23	0.00/24.52/39.23	
	Drain	Drain Pipe	Ø,mm	VP25 (OD 32, ID 25)	VP25 (OD 32, ID 25)	VP25 (OD 32, ID 25)	
	Sound	Sound Pressure	High / Mid / Low	dB(A)	32.00/29.5/27.0	33.00/31.5/30.0	36.00/34.0/32.0
		Sound Power		dB(A)	59	56	60
	External Dimension	Net Weight	kg	26.00	31.00	34.00	
		Shipping Weight	kg	31.00	39.00	40.00	
		Net Dimensions (WxHxD)	mm	900 x 199 x 600	1100 x 199 x 600	1100 x 199 x 600	
		Shipping Dimensions (WxHxD)	mm	1150 x 280 x 710	1350 x 280 x 710	1350 x 280 x 710	
	Panel Size	Panel model	-	-	-	-	
		Panel Net Weight	kg	-	-	-	
		Shipping Weight	kg	-	-	-	
		Net Dimensions (WxHxD)	mm	-	-	-	
	Additional Accessories	Drain pump	Drain pump	-	MDP-E075SEE3	MDP-E075SEE3	
Max. Lifting Height / Displacement			mm/liter/h	-	-	-	
Air Filter		-	-	-	-		
Outdoor Unit	Power Supply	Ø, #, V, Hz	1, 2, 220-240, 50	1, 2, 220-240, 50	1, 2, 220-240, 50		
	Compressor	Type	-	Single BLDC Rotary	Single BLDC Rotary	Twin BLDC Rotary	
		Model	-	G4C090LUDER	UG4T150FUDJQ	UG4T200FUAE4SG	
		Output	kW	0.86	1.85	1.79	
		Oil	Type	-	POE	POE	POE
	Initial Charge		cc	320.00	650	650.00	
	Fan	Air Flow Rate	Cooling	CMM	30.00	33	52.00
				I/s	500.00	550.00	866.67
	Sound	Sound Pressure	Cooling / Heating	dB(A)	47.0 / 47.0	49.0 / 49.0	49.0 / 51.0
		Sound Power		dB(A)	62	64	66
	External Dimension	Net Weight	kg	33.00	38.50	55.00	
		Shipping Weight	kg	37.00	42.50	59.00	
		Net Dimensions (WxHxD)	mm	790 x 548 x 285	790 x 548 x 285	880 x 798 x 310	
		Shipping Dimensions (WxHxD)	mm	926 x 655 x 382	926 x 655 x 382	1023 x 891 x 413	
	Operating Temp. Range	Cooling	°C	-10~46	-10~46	-15~50	
		Heating	°C	-15~24	-15~24	-20~24	

4-2. Capacity tables

1) AC035FCADEH/EU+AC035FBLDEH/EU

(1) Cooling TC(Total Capacity, kW), SHC(Sensible Heat Capacity, kW), PI(Power Input, kW)

Indoor Temperature(°C)		Outdoor Temperature (°C, DB)											
		-15			21			35			46		
WB	DB	TC	SHC	PI	TC	SHC	PI	TC	SHC	PI	TC	SHC	PI
14	20	3.51	2.64	0.98	3.74	2.80	0.95	3.25	2.44	1.16	2.70	2.02	1.21
16	22	3.60	2.70	1.00	3.83	2.87	0.97	3.33	2.50	1.19	2.76	2.07	1.24
18	25	3.69	2.77	1.02	3.92	2.94	1.00	3.42	2.56	1.22	2.83	2.12	1.27
19	27	3.78	2.84	1.05	4.02	3.02	1.02	3.50	2.63	1.25	2.90	2.18	1.30
22	30	3.87	2.90	1.08	4.12	3.09	1.04	3.58	2.69	1.27	2.97	2.23	1.33
24	32	3.96	2.97	1.10	4.22	3.16	1.07	3.67	2.75	1.31	3.04	2.28	1.36

(2) Heating TC(Total Capacity, kW), PI(Power Input, kW)

Indoor Temperature(°C)		Outdoor Temperature (°C, DB)							
		-15		-10		7		24	
DB		TC	PI	TC	PI	TC	PI	TC	PI
16		2.50	1.20	3.32	1.32	4.08	1.20	4.29	1.17
18		2.47	1.19	3.28	1.30	4.04	1.18	4.25	1.16
20		2.45	1.18	3.25	1.29	4.00	1.17	4.21	1.15
21		2.43	1.17	3.22	1.28	3.96	1.16	4.17	1.14
22		2.40	1.16	3.19	1.26	3.92	1.15	4.13	1.13
24		2.38	1.14	3.15	1.25	3.88	1.14	4.08	1.12

2) AC052FCADEH/EU+AC052FBLDEH/EU

(1) Cooling TC(Total Capacity, kW), SHC(Sensible Heat Capacity, kW), PI(Power Input, kW)

Indoor Temperature(°C)		Outdoor Temperature (°C, DB)											
		-15			21			35			46		
WB	DB	TC	SHC	PI	TC	SHC	PI	TC	SHC	PI	TC	SHC	PI
14	20	4.61	3.46	1.11	5.53	4.15	1.21	4.65	3.49	1.54	3.30	2.48	1.32
16	22	4.72	3.54	1.13	5.67	4.25	1.24	4.76	3.57	1.58	3.38	2.54	1.35
18	25	4.84	3.63	1.16	5.81	4.36	1.27	4.88	3.66	1.62	3.46	2.60	1.39
19	27	4.96	3.72	1.19	5.95	4.46	1.30	5.00	3.75	1.66	3.55	2.66	1.42
22	30	5.08	3.81	1.22	6.09	4.57	1.33	5.12	3.84	1.70	3.64	2.73	1.45
24	32	5.20	3.90	1.25	6.24	4.68	1.36	5.24	3.93	1.74	3.72	2.79	1.49

(2) Heating TC(Total Capacity, kW), PI(Power Input, kW)

Indoor Temperature(°C)		Outdoor Temperature (°C, DB)							
		-15		-10		7		24	
DB		TC	PI	TC	PI	TC	PI	TC	PI
16		4.46	2.02	5.08	2.15	6.12	1.69	7.60	1.79
18		4.41	2.00	5.03	2.13	6.06	1.68	7.52	1.77
20		4.37	1.98	4.98	2.11	6.00	1.66	7.45	1.75
21		4.33	1.96	4.93	2.09	5.94	1.64	7.38	1.73
22		4.28	1.94	4.88	2.07	5.88	1.63	7.30	1.72
24		4.24	1.92	4.83	2.05	5.82	1.61	7.23	1.70

Note

- ◆ Ratings shown are net capacities.
- ◆ Capacities are based on following conditions;
 - Equivalent refrigerant piping length : 5m / Level difference : 0m.

4 Slim duct

4-2. Capacity tables

3) AC071FCADEH/EU+AC071FBLDEH/EU

(1) Cooling

TC(Total Capacity, kW), SHC(Sensible Heat Capacity, kW), PI(Power Input, kW)

Indoor Temperature(°C)		Outdoor Temperature (°C, DB)														
		-15			21			35			43			50		
WB	DB	TC	SHC	PI	TC	SHC	PI	TC	SHC	PI	TC	SHC	PI	TC	SHC	PI
14	20	8.35	6.68	1.26	8.06	6.45	1.31	7.78	6.23	2.05	6.60	5.28	2.38	5.56	4.45	2.38
16	22	8.55	6.84	1.29	8.26	6.61	1.34	7.97	6.38	2.11	6.76	5.41	2.44	5.70	4.56	2.44
18	25	8.76	7.01	1.32	8.46	6.77	1.38	8.17	6.54	2.16	6.93	5.54	2.50	5.84	4.67	2.50
19	27	8.98	7.18	1.35	8.67	6.94	1.41	8.37	6.70	2.21	7.10	5.68	2.56	5.98	4.78	2.56
22	30	9.20	7.36	1.38	8.88	7.10	1.44	8.57	6.86	2.26	7.27	5.82	2.62	6.12	4.90	2.62
24	32	9.42	7.53	1.42	9.09	7.27	1.48	8.78	7.02	2.32	7.44	5.96	2.68	6.27	5.02	2.68

(2) Heating

TC(Total Capacity, kW), PI(Power Input, kW)

Indoor Temperature(°C)		Outdoor Temperature (°C, DB)							
		-20		-10		7		24	
DB		TC	PI	TC	PI	TC	PI	TC	PI
16		5.52	2.87	6.88	2.69	8.16	2.26	8.70	2.29
18		5.46	2.84	6.81	2.67	8.08	2.24	8.62	2.26
20		5.41	2.81	6.74	2.64	8.00	2.22	8.53	2.24
21		5.36	2.78	6.67	2.61	7.92	2.20	8.44	2.22
22		5.30	2.75	6.61	2.59	7.84	2.18	8.36	2.20
24		5.25	2.73	6.54	2.56	7.76	2.15	8.28	2.17

Note

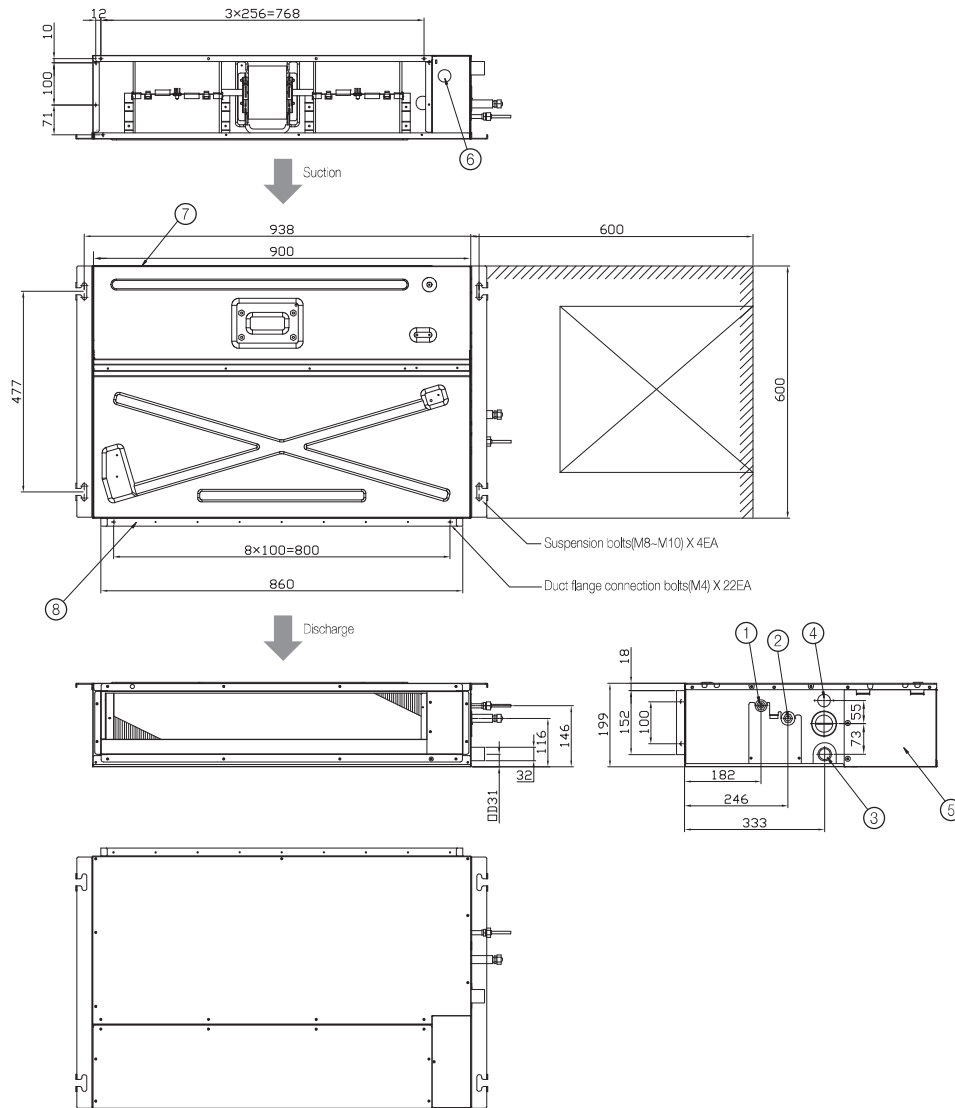
- ◆ Ratings shown are net capacities.
- ◆ Capacities are based on following conditions;
 - Equivalent refrigerant piping length : 5m / Level difference : 0m.

4-3. Dimensional drawing

1) AC035FBLDEH/EU

Unit:mm

Specifications



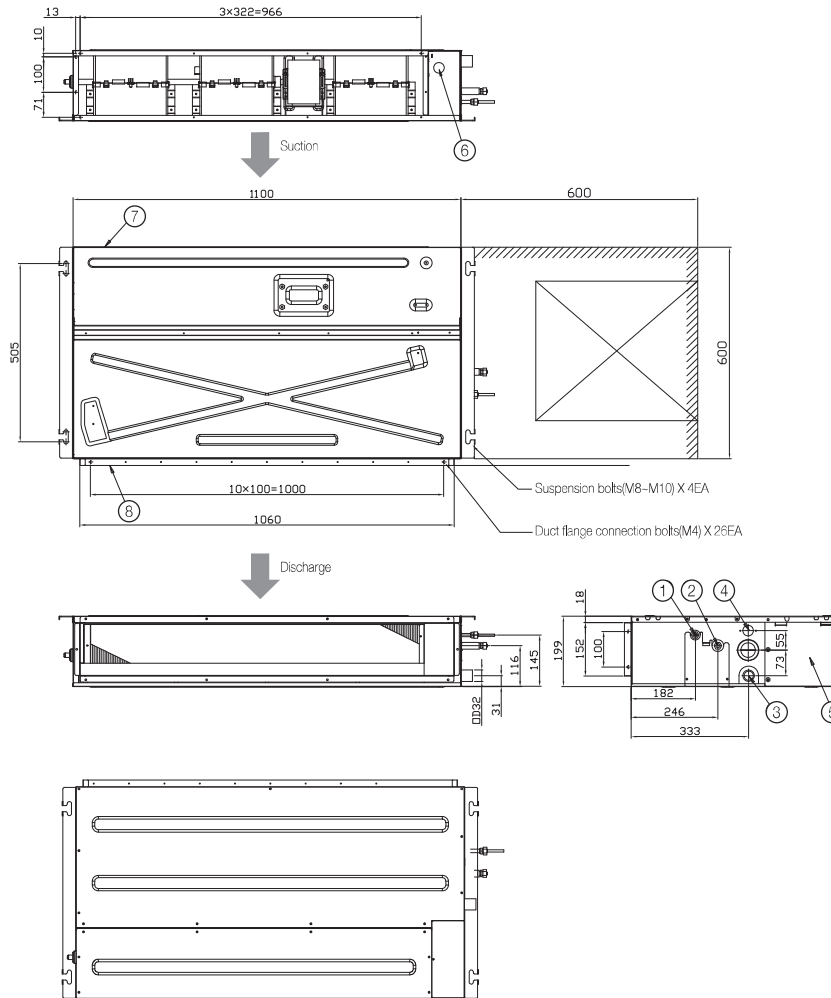
No.	Name	Description
		3.5kW
①	Liquid pipe connection	Ø6.35mm (1/4") Flare
②	Gas pipe connection	Ø9.52mm (3/8") Flare
③	Drain pipe connection without optional drain pump kits	VP25 (OD32, ID25)
④	Drain pipe connection with optional drain pump kits	-
⑤	Control unit	-
⑥	Conduit for power supply & communication wiring	-
⑦	Return air side	-
⑧	Air outlet duct flange	-

4 Slim duct

4-3. Dimensional drawing

2) AC052/071FBLDEH/EU

Unit:mm



No.	Name	Description	
		5.2kW	7.1kW
①	Liquid pipe connection	Ø6.35mm (1/4") Flare	Ø6.35mm (1/4") Flare
②	Gas pipe connection	Ø12.7mm (1/2") Flare	Ø15.88mm (5/8") Flare
③	Drain pipe connection without optional drain pump kits	VP25 (OD32, ID25)	
④	Drain pipe connection with optional drain pump kits	-	
⑤	Control unit	-	
⑥	Conduit for power supply & communication wiring	-	
⑦	Return air side	-	
⑧	Air outlet duct flange	-	