



# **EHsp SERIES**

**Horizontal Multistage Self Priming Pumps**



# EHsp – HORIZONTAL MULTISTAGE SELF PRIMING PUMPS

**NEW SELF PRIMING PUMP COMPLETELY IN STAINLESS STEEL**  
**Advanced technology in performance and reliability**

## FEATURES

EHsp is the first horizontal multistage self priming pump completely in stainless steel AISI304 with elastic valve

Max suction lift capacity up to 7 m in less than 5 min

Pump range: EHsp 3 - 5

Compact close-coupled design, robust and corrosion resistant

Floating neck ring in PPS

Mechanical seal carbon/ceramic/EPDM - Type E0

## SPECIFICATIONS

**Capacity:** up to 8 m<sup>3</sup>/h at 50 Hz

**Heads:** up to 56 m at 50 Hz

**Suction inlet:** Rp 1 1/4"

**Discharge outlet:** Rp 1"

**Liquid temperature:** 0 °C up +35 °C

**Maximum ambient temperature:** 40 °C

**Available only with single phase motors:** 220-240 V ± 5 %. Thermal protection built into the motor.

2 poles

IP55 protection motor, Insulation class F

## APPLICATIONS

Small domestic and industrial systems

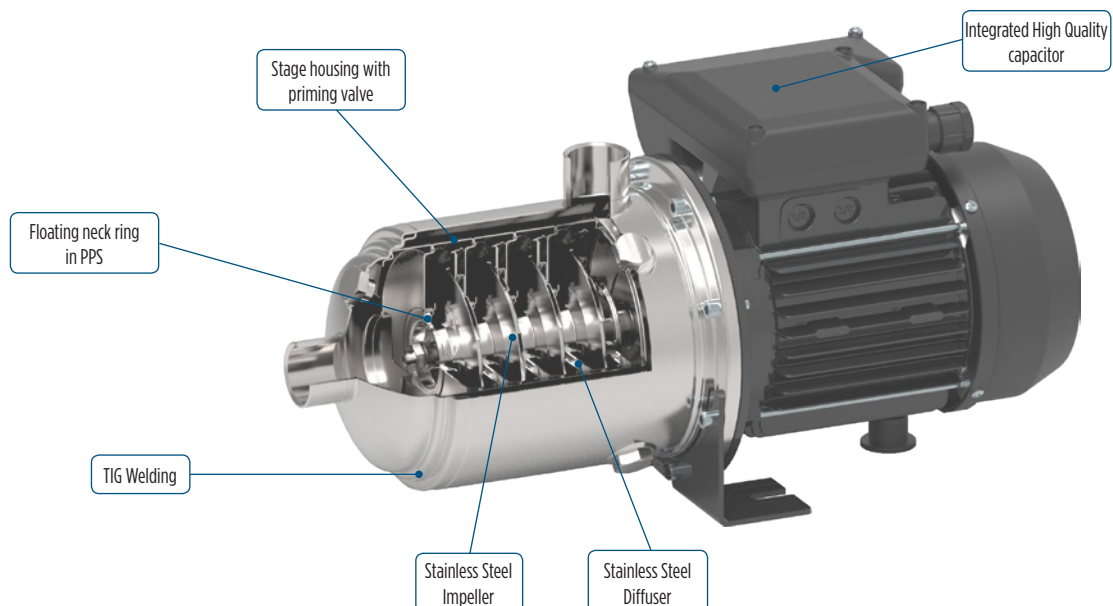
Domestic water supply and pressurization

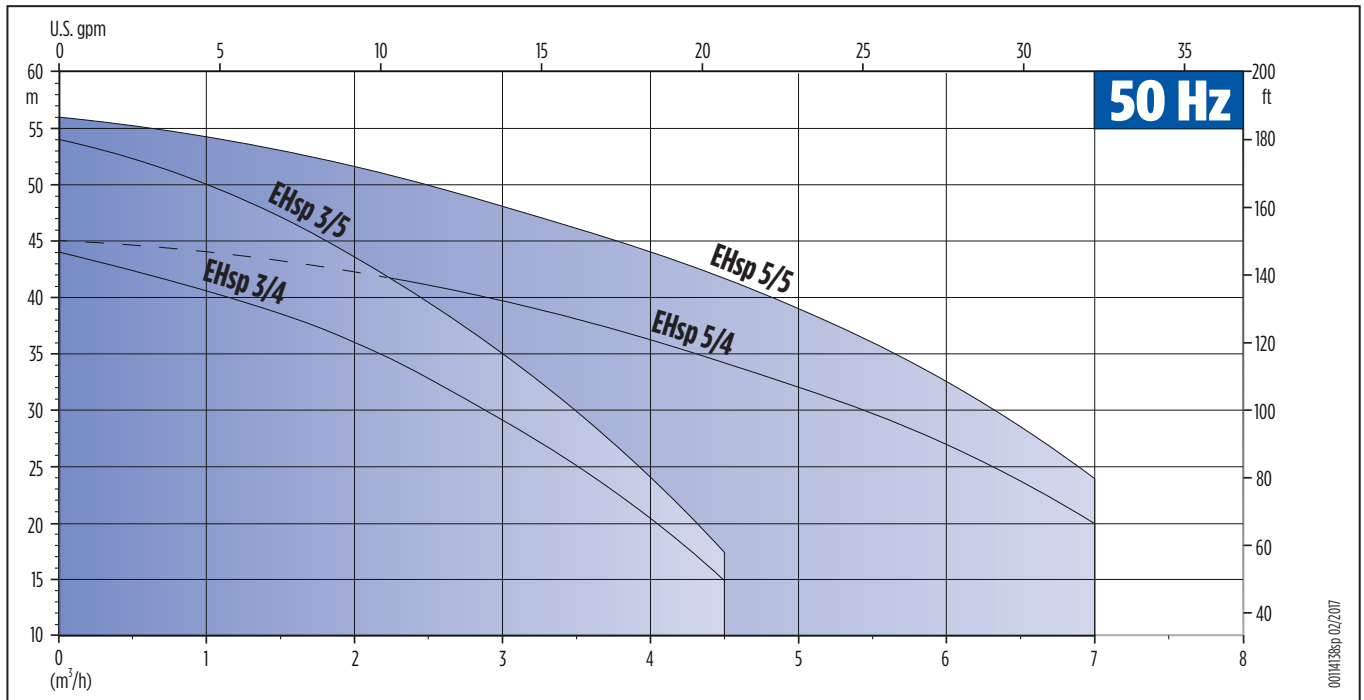
Irrigation / Gardening

Sprinklers

Rainwater recovery

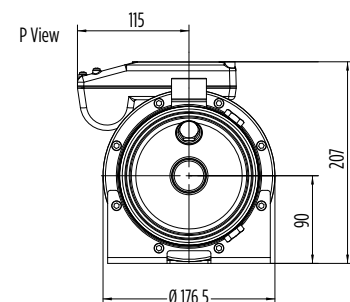
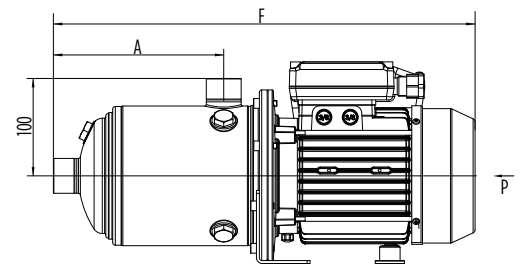
Wash down unit





00141386p 02/2017

DIMENSIONS TABLE						
Pump model 1 ~ 220-240 V	POWER		INPUT POWER [kW]	A	F	Weight [Kg]
	kW	HP				
EHsp 3/4	0,55	0,75	0,75	175	433	12,6
EHsp 3/5	0,75	1	0,90	199	457	13
EHsp 5/4	0,9	1,2	1,11	175	433	14
EHsp 5/5	1,1	1,5	1,33	199	457	14,4



PARTS DESCRIPTIONS	TYPE	MATERIAL	
		AISI	DIN / EN
Stage housing with priming valve	Stainless Steel	301 / 304	1.4310 / 1.4301
Last stage with holes	Stainless Steel	304	1.4301
Pump casing	Stainless Steel	304	1.4301
Impeller	Stainless Steel	304	1.4301
Diffusers	Stainless Steel	304	1.4301
Rotor and pump shaft	Stainless Steel	304	1.4301
Floating neck ring	Stainless Steel & PPS	304	1.4301
Kit O-ring	EPDM	-	-
Mechanical Seal	Ceramic / Carbon / EPDM	-	-



## Franklin Electric

Franklin Electric S.r.l.  
Via Asolo, 7 - 36031 Dueville (Vicenza) Italy  
Phone. +39 0444 361114 - Fax. +39 0444 365247  
Contacts: sales.it@fele.com

Single member - Company subject to the control  
and coordination of Franklin Electric Co., Inc.

NOTE: Franklin Electric s.r.l. reserves the right to amend specification without prior notice

00105005\_Ed 03/2017